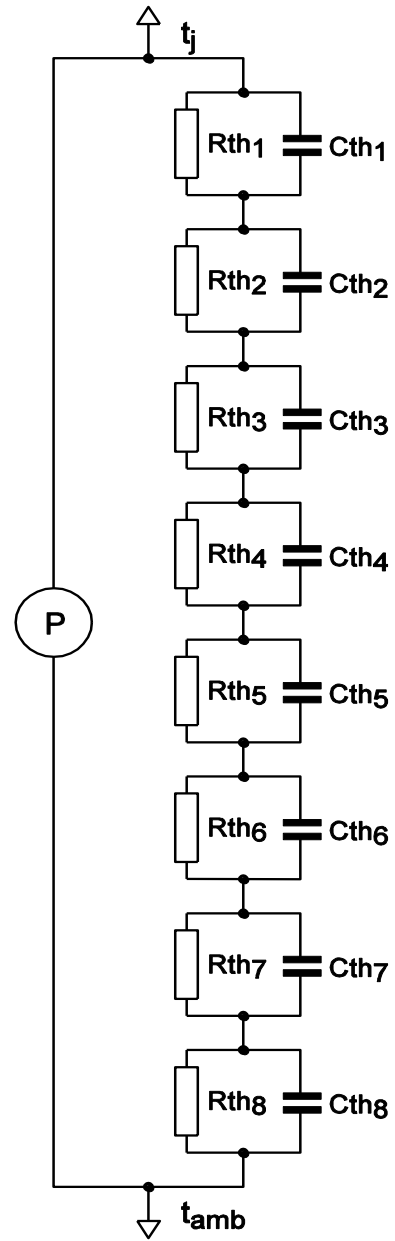


SPICE thermal model

BUK7K18-40E

| Symbol | Parameter | Conditions | Min | Typ | Max | Unit |
|----------------|---|------------|-----|-----|------|------|
| $R_{th(j-mb)}$ | thermal resistance from junction to mounting base | | - | - | 3.96 | K/W |

| | |
|-----------|--------------------|
| C_{th1} | 1.632E-05 F |
| C_{th2} | 9.043E-05 F |
| C_{th3} | 1.237E-04 F |
| C_{th4} | 5.440E-04 F |
| C_{th5} | 2.462E-03 F |
| C_{th6} | 2.636E-03 F |
| C_{th7} | 1.699E-01 F |
| C_{th8} | 2.276E+02 F |
| R_{th1} | 5.513E-03 Ω |
| R_{th2} | 1.304E-02 Ω |
| R_{th3} | 7.719E-02 Ω |
| R_{th4} | 1.770E-01 Ω |
| R_{th5} | 5.109E-01 Ω |
| R_{th6} | 2.852E+00 Ω |
| R_{th7} | 3.205E-01 Ω |
| R_{th8} | 7.015E-04 Ω |



Part: BUK7K18-40E
 Date: 20/3/2013
 Rth 3.96 K/W